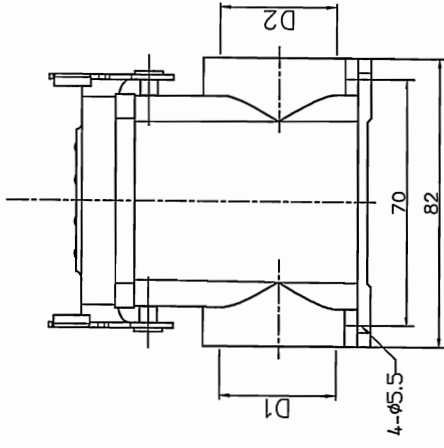
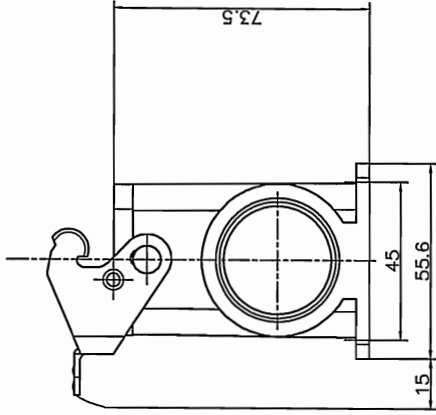
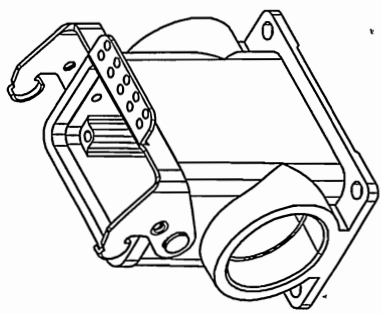


REVISION RECORD	
REV	DESCRIPTION

REV	ECN	DRFT	DATE

TYPE	Thread		Selection
	D1	D2	
D6B-SFH-1L-M25	M25	—	
D6B-SFH-1L-2M25	M25	M25	
D6B-SFH-1L-M32	M32	—	
D6B-SFH-1L-2M32	M32	M32	
D6B-SFH-1L-PG21	PG21	—	
D6B-SFH-1L-2PG21	PG21	PG21	
D6B-SFH-1L-PG29	PG29	—	
D6B-SFH-1L-2PG29	PG29	PG29	



Housings Feature

- 01. Material: aluminium die-cast
- 02. Surface: Powder-coated
- 03. Color: grey (RAL 7037)
- 04. Material: Metal zinc-plated (Lever)
- 05. Sealing: NBR
- 06. Limiting temperatures: -40°C ~ +125°C
- 07. Flammability acc to UL94: V0
- 08. Degree of protection acc. to EN60529 for coupled connector : IP65
- 09. Rohs compliance

PART NO.: /		NINGBO DEGSON ELECTRICAL CO., LTD	
APPD: HYS 2017.7.1	NAME: D6B-SFH-1L-M/PG		
CHKD: CHK 2017.7.1	TITLE: CUSTOMER DRAWING		
DRFT: Mr.yong 2017/06/28	REV	SHEET	SCALE
	DO-1	1/1	1:2
THIRD ANGLE PROJECTION		DO NOT SCALE DRAWING	
DRAWING NO.:		SCALE	
MM (INCH)		1:2	

DETACHED LISTS