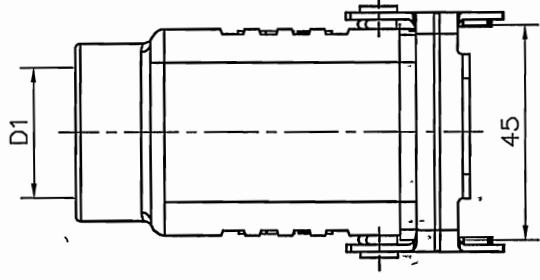
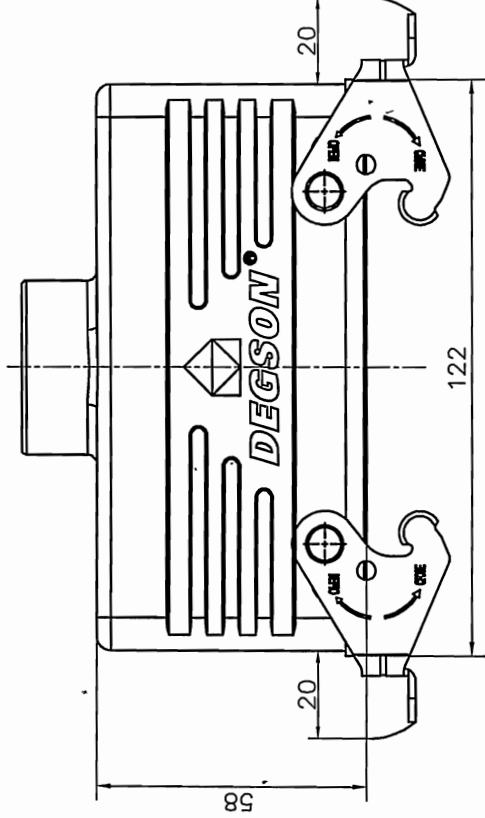
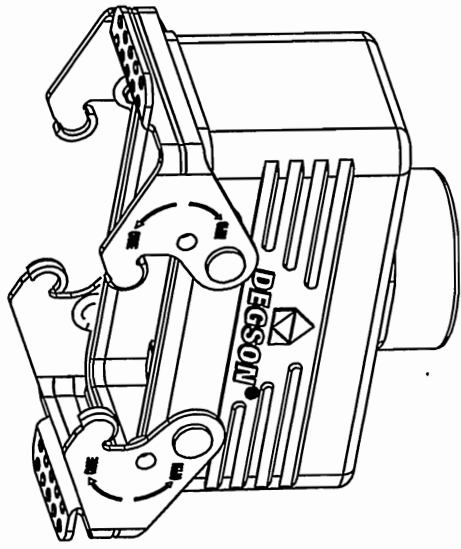


REVISION RECORD				
REV	ECN	DESCRIPTION	DRFT	DATE

TYPE	Thread(D1) Selection
D24B-CCT-2L-M25	M25
D24B-CCT-2L-M32	M32
D24B-CCT-2L-PG21	PG21



- Housings Feature**
1. Material: aluminium die-cast
 2. Surface: Powder-coated
 3. Color: grey (RAL 7037)
 4. Material: Metal (Lever)
 5. Sealing: NBR
 6. Limiting temperatures: -40°C ~ +125°C
 7. Flammability acc to UL94: V0
 8. Degree of protection acc. to EN60529 for coupled connector: IP65
 9. Rohs compliance

PART NO.:	/	NINGBO DEGSON ELECTRICAL CO., LTD
APPD:	HYS 2017.7.7	NAME: D24B-CCT-2L-M/PG
CHKD:	CMK 2017.7.1	TITLE: CUSTOMER DRAWING
DRFT:	Mr. yang	2017/06/28
DRAWING NO.:		REV D0-1
MM (INCH)		SHEET 1/1
THIRD ANGLE PROJECTION		SCALE 1:1.5