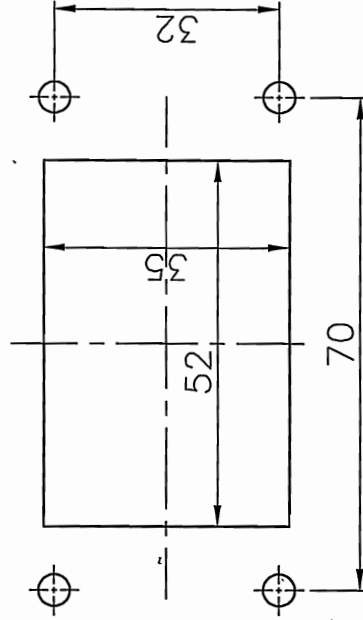
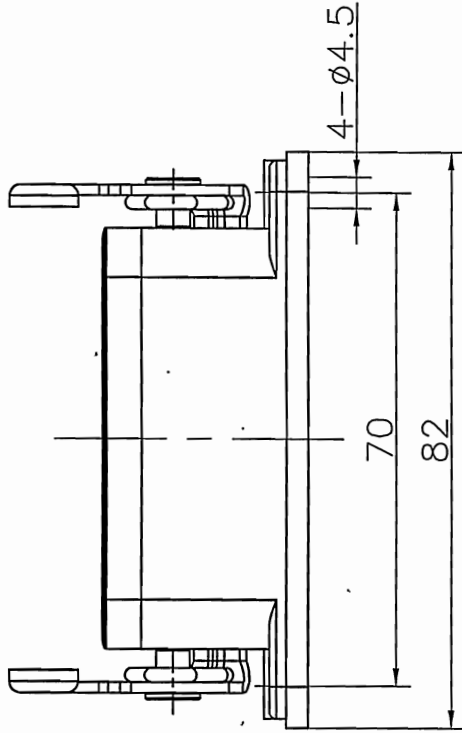
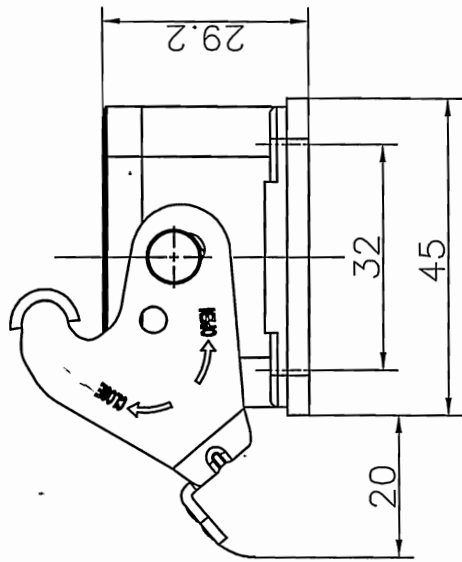
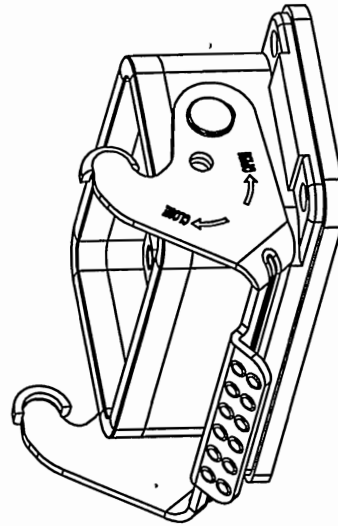


REVISION RECORD				
REV	ECN	DESCRIPTION	DRFT	DATE



Panel cut out



Housings Feature

1. Material: aluminium die-cast
2. Surface: Powder-coated
3. Color: grey (RAL 7037)
4. Material: Metal (Lever)
5. Sealing: NBR
6. Limiting temperatures: -40°C ~ +125°C
7. Flammability acc to UL94: V0
8. Degree of protection acc.to EN60529 for coupled connector :IP65
9. Rohs compliance

PART NO:	/	NINGBO DEGSON®	NINGBO DEGSON ELECTRICAL CO., LTD	宁波高松电子有限公司
APPD:	HSS 2017.7.4	NAME:	D6B-BK-1L	
CHKD:	CHK 2017.7.1	TITLE:	CUSTOMER DRAWING	
DRFT:	Mr.yong	DRAWING NO.:	REV	D0-1
		THIRD ANGLE PROJECTION	SHEET	1/1
		MM (INCH)	DO NOT SCALE DRAWING	SCALE
				1:1