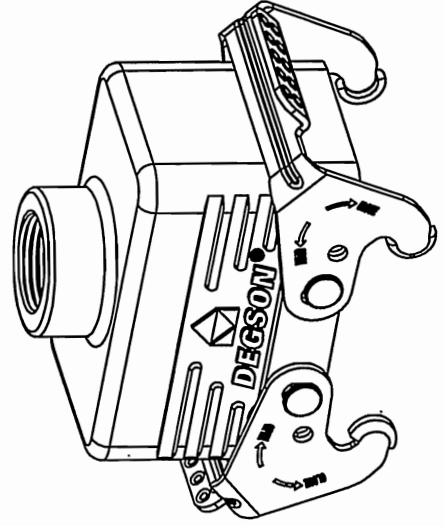
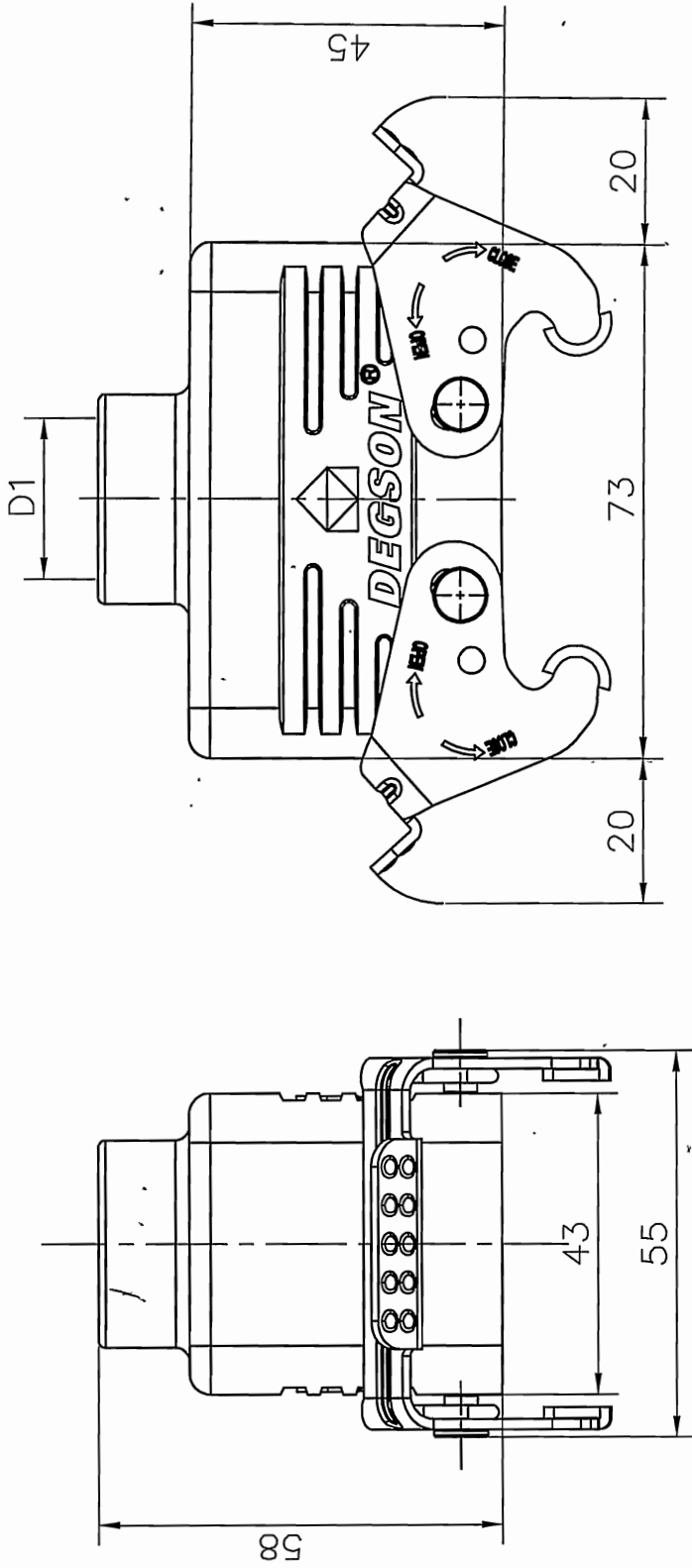


REVISION RECORD				
REV	ECN	DESCRIPTION	DRFT	DATE

Thread(D1) Selection	
D10B-TE-2L-M20	M20
D10B-TE-2L-M25	M25
D10B-TE-2L-PG16	PG16



- Housings Feature**
1. Material: aluminum die-cast
  2. Surface: Powder-coated
  3. Color: grey (RAL 7037)
  4. Material: Metal (Lever)
  5. Limiting temperatures: -40°C ~ +125°C
  6. Flammability acc to UL94:V0
  7. Degree of protection acc.to EN60529 for coupled connector :IP65
  8. Rohs compliance

PART NO.:	/	NINGBO DEGSON ELECTRICAL CO., LTD	
APPD:	M/S 2017.7.8	NAME: D10B-TE-2L-M/PG	
CHKD:	CHK 2017.7.7	TITLE: CUSTOMER DRAWING	
DRFT:	Mr.yang 2017/06/28	REV	D0-1
DRAWING NO.:		SHEET	1/1
THIRD ANGLE PROJECTION		DO NOT SCALE DRAWING	SCALE
			1:1

