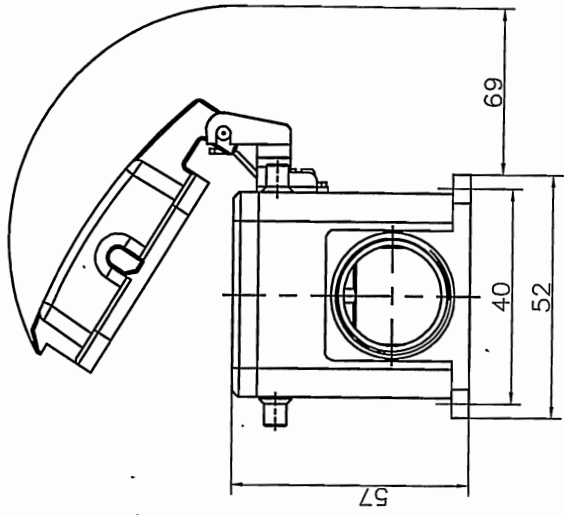
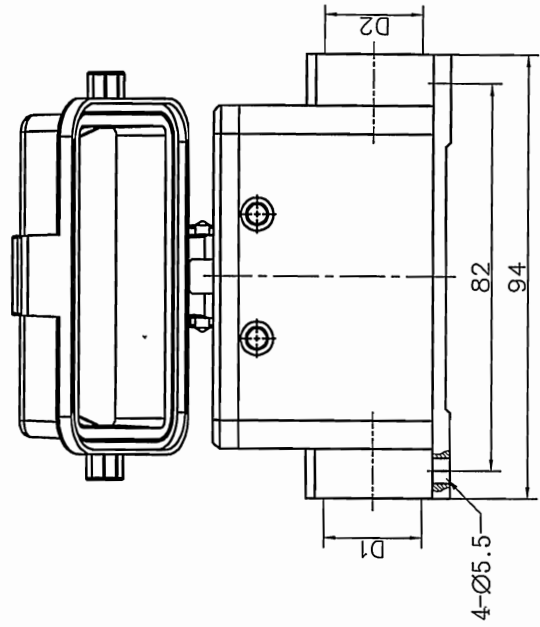
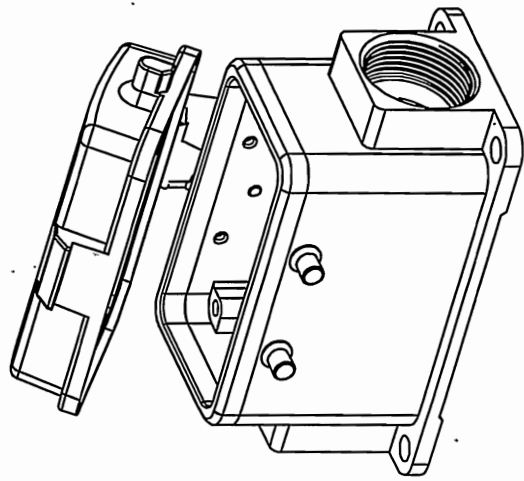


7 6 5 4 3 2 1

TYPE	Thread		Selection
	D1	D2	
D10B-SF-4g-CV-M20	M20	—	
D10B-SF-4g-CV-2M20	M20	M20	
D10B-SF-4g-CV-M25	M25	—	
D10B-SF-4g-CV-2M25	M25	M25	
D10B-SF-4g-CV-PG16	PG16	—	
D10B-SF-4g-CV-2PG16	PG16	PG16	

REVISION RECORD				
REV	ECN	DESCRIPTION	DRFT	DATE



- Housings Feature**
- 01. Material: aluminium die-cast
 - 02. Surface: Powder-coated
 - 03. Color: grey (RAL 7037)
 - 04. Sealing: NBR
 - 05. Covers: Plastic
 - 06. Limiting temperatures: -40°C ~ +125°C
 - 07. Flammability acc to UL94: V0
 - 08. Degree of protection acc.to EN60529 for coupled connector: IP65
 - 09. Rohs compliance

PART NO.:	/	DEGSON® 宁波高松电子有限公司
APPD:	HYS 2017.7.1	NINGBO DEGSON ELECTRICAL CO., LTD
CHKD:	CHK 2017.7.1	NAME: D10B-SF-4g-CV-M/PG
DRFT:	Mr. Yang 2017/06/28	TITLE: CUSTOMER DRAWING
THIRD ANGLE PROJECTION		DRAWING NO.:
		REV
		DO NOT SCALE
		DRAWING SCALE
		1:1.5

H G F E D C B A