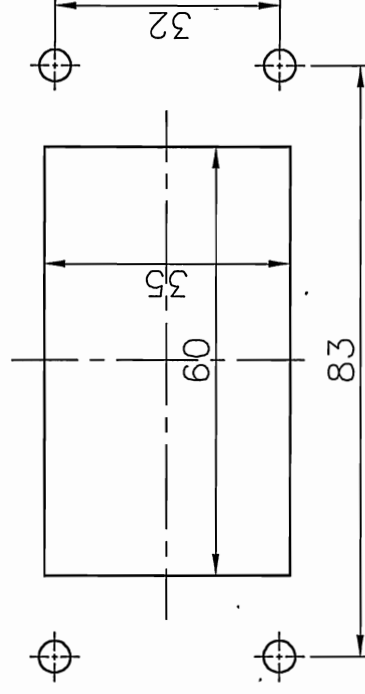
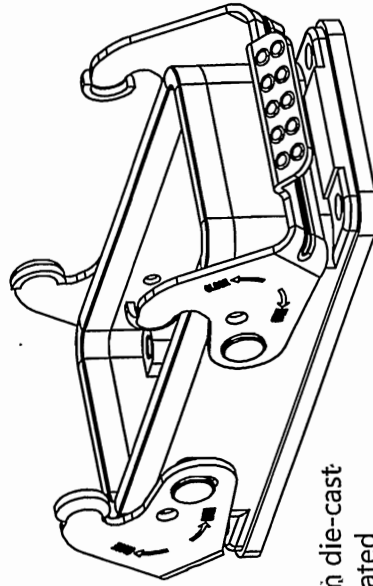
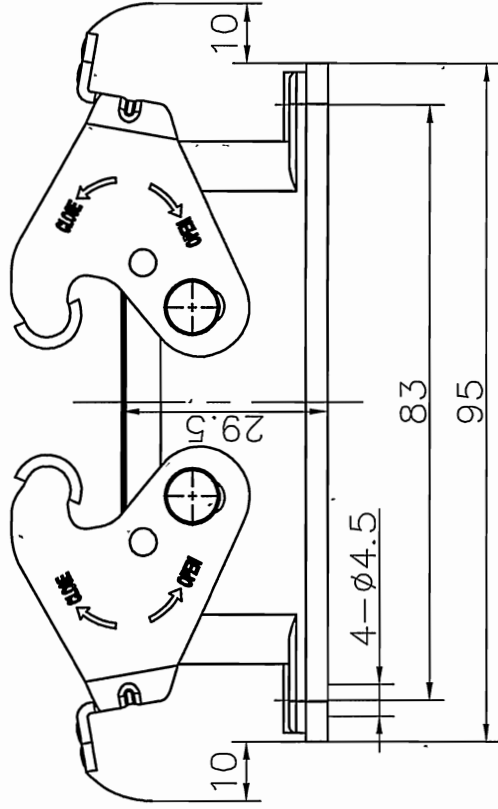
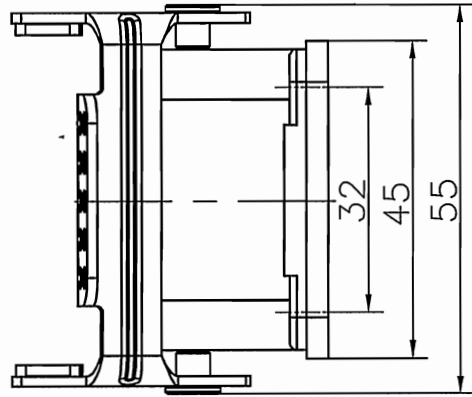


REVISION RECORD				
REV	ECN	DESCRIPTION	DRFT	DATE



Panel cut out

- Housings Feature**
1. Material: aluminum die-cast
  2. Surface: Powder-coated
  3. Color: grey (RAL 7037)
  4. Material: Metal (Lever)
  5. Sealing: NBR
  6. Limiting temperatures: -40°C ~ +125°C
  7. Flammability acc to UL94: V0
  8. Degree of protection acc.to EN60529 for coupled connector: IP65
  9. Rohs compliance

PART NO:	/	<b>DEGSON</b> <sup>®</sup>	NINGBO DEGSON ELECTRICAL CO., LTD
APPD:	HYS 2017.7.1	NAME:	宁波高松电子有限公司
CHKD:	ZHK 2017.7.1	TITLE:	D10B-BK-2L
DRFT:	Mr.yang	2017/06/28	CUSTOMER DRAWING
DETACHED LISTS		DRAWING NO:	REV
THIRD ANGLE PROJECTION		MM (INCH)	DO NOT SCALE
		SHEET	SCALE
		1/1	1:1

