

REVISION RECORD				
REV	ECN	DESCRIPTION	DRFT	DATE

Technical characteristics:

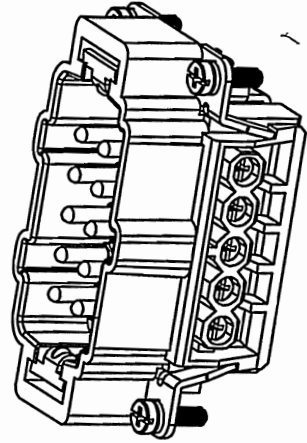
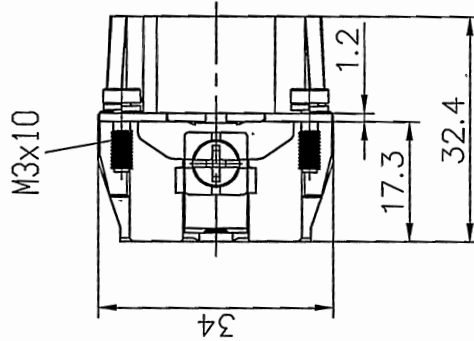
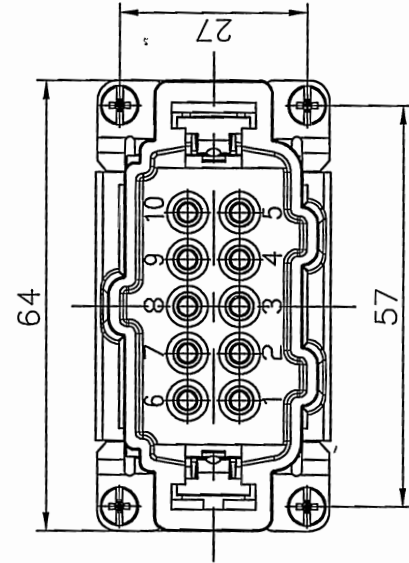
Specifications
 DIN EN 60 664-1
 DIN EN 61 984

Inserts

- 01. Number of contacts :10+PE
- 02. Rated Current :16A
- 03. Rated Voltage :500V
- 04. Pollution degree :3
- 05. Rated impulse voltage :6kv¹⁰
- 06. Insulation resistance :≥10Ω
- 07. Material:Polycarbonate
- 08. Rated voltage acc.to UL/CSA:600V
- 09. Limiting temperatures : -40℃~+125℃
- 10. Flammability acc.to UL94:V0
- 11. Mechanical working life
 (mating cycles) :≥500

Contacts

- 01. Material:Copper alloy
- 02. Surface:hard-silver plated
- 03. Contact resistance :≤1mΩ
- 04. Terminal :Screw terminal
- 05. Wire gauge :1.0-2.5mm² (AWG 18-14)
- 06. Tightening torque :0.5Nm
- 07. Stripping length :7.5mm
- 08. Rohs Compliance



PART NO: /		NINGBO DEGSON ELECTRICAL CO., LTD	
APPD: HS 2016.R6	NAME: DE-010-M		
CHKD: LJM 2016.9.5	DRAWING NO: /		
DRFT: Mr.Yang 2016.08.08	TITLE: CUSTOMER DRAWING		
 THIRD ANGLE PROJECTION	MM	DO NOT SCALE	DRAWING SCALE
	(INCH)	2	1:1

DETACHED LISTS