

REVISION RECORD				
REV	ECN	DESCRIPTION	DRFT	DATE

Technical characteristics:

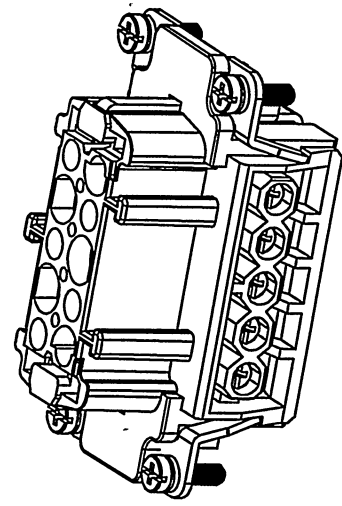
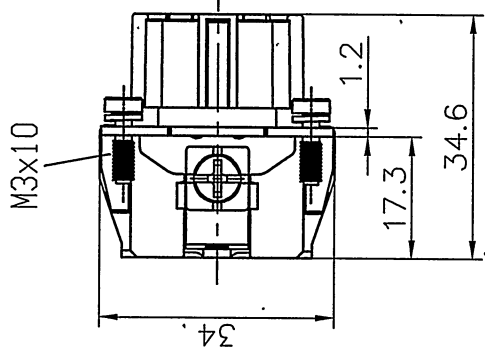
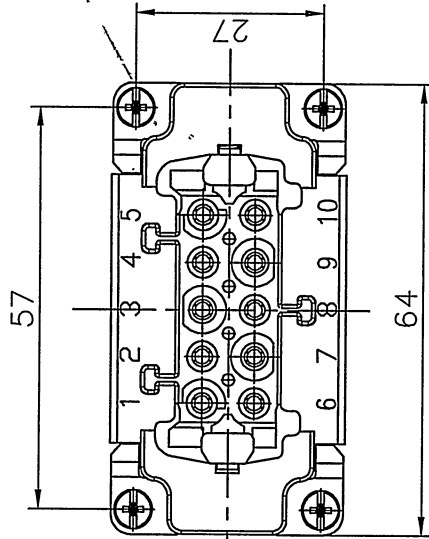
Specifications
 DIN EN 60 664-1
 DIN EN 61 984

Inserts

01. Number of contacts :10+PE
02. Rated Current :16A
03. Rated Voltage :500V
04. Pollution degree :3
05. Rated impulse voltage :6kv¹⁰
06. Insulation resistance :≥10Ω
07. Material:Polycarbonate
08. Rated voltage acc.to UL/CSA:600V
09. Limiting temperatures : -40℃~+125℃
10. Flammability acc.to UL94:V0
11. Mechanical working life (mating cycles) : ≥500

Contacts

01. Material:Copper alloy
02. Surface:hard-silver plated
03. Contact resistance :≤1mΩ
04. Terminal :Screw terminal
05. Wire gauge :1.0-2.5mm² (AWG 18-14)
06. Tightening torque :0.5Nm
07. Stripping length :7.5mm
08. Rohs Compliance



PART NO:	NINGBO DEGSON ELECTRICAL CO., LTD	
NAME:	宁波高松电子有限公司	
APPD:	HYS 2016.8.6	DE-010-F
CHKD:	ZJM 2016.9.5	
DRFT:	Mr.Yang	2016.08.08
TITLE:	CUSTOMER DRAWING	REV DO
DRAWING NO.:	/	SHEET 1/1
THIRD ANGLE PROJECTION	DO NOT SCALE	DRAWING SCALE 1:1