

REVISION RECORD				
REV.	ECN	DESCRIPTION	DRFT	DATE

Technical characteristics:

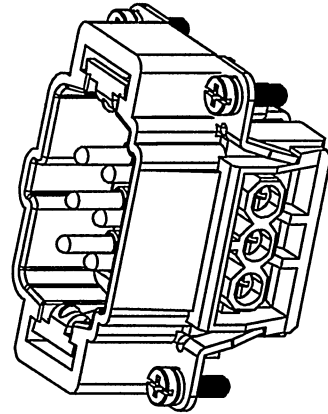
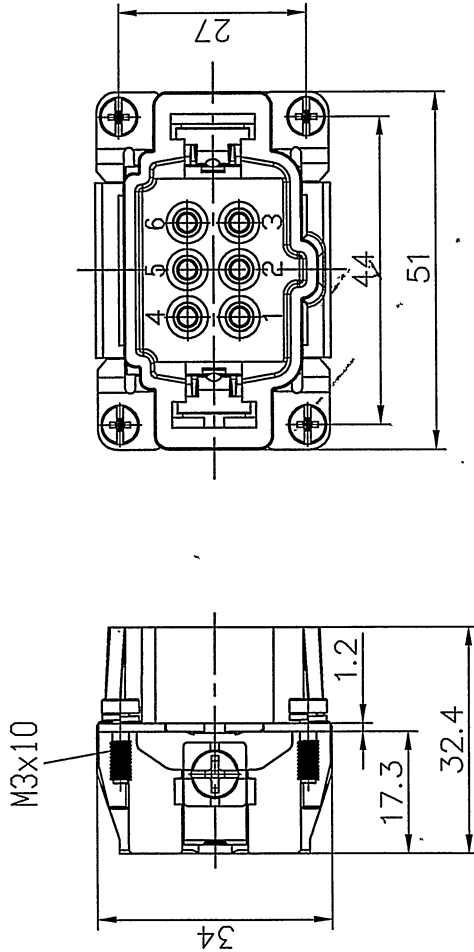
Specifications
 DIN EN 60 664-1
 DIN EN 61 984

Inserts

01. Number of contacts : 6+PE
02. Rated Current : 16A
03. Rated Voltage : 500V
04. Pollution degree : 3
05. Rated impulse voltage : 6kv¹⁰
06. Insulation resistance : $\geq 10 \Omega$
07. Material: Polycarbonate
08. Rated voltage acc. to UL/CSA: 600V
09. Limiting temperatures : -40°C ~ +125°C
10. Flammability acc. to UL94: V0
11. Mechanical working life (mating cycles) : ≥ 500

Contacts

01. Material: Copper alloy
02. Surface: hard-silver plated
03. Contact resistance : $\leq 1m\Omega$
04. Terminal : Screw terminal
05. Wire gauge : 1.0-2.5mm² (AWG 18-14)
06. Tightening torque : 0.5Nm
07. Stripping length : 7.5mm
08. Rohs Compliance



PART NO:	/	NINGBO DEGSON ELECTRICAL CO., LTD
APPD:	HYS 2016.9.6	DEGSON®
CHKD:	LJM 2016.9.5	NINGBO DEGSON ELECTRICAL CO., LTD
DRFT:	Mr. Yang 2016.08.08	NAME
THIRD ANGLE PROJECTION		TITLE: CUSTOMER DRAWING
DO NOT SCALE		REV
SCALE	1:1	DO
SCALE	1:1	SHEET
SCALE	1:1	SCALE