

REVISION RECORD				
REV	ECN	DESCRIPTION	DRFT	DATE

Technical characteristics:

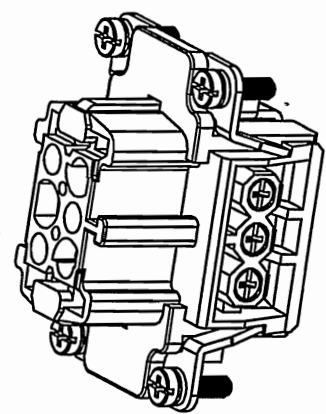
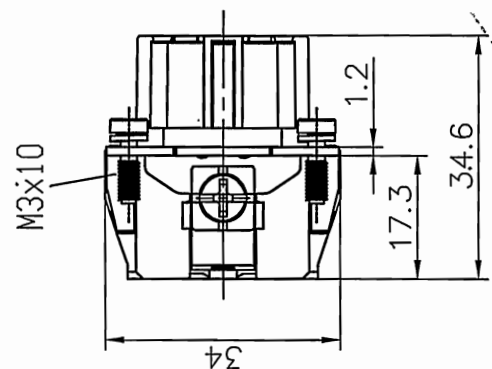
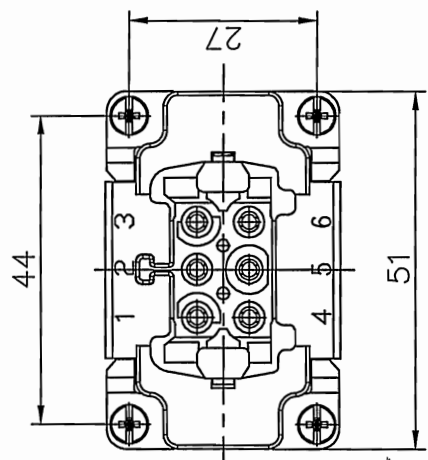
Specifications
 DIN EN 60 664-1
 DIN EN 61 984

Inserts

- Number of contacts :6+PE
- Rated Current :16A
- Rated Voltage :500V
- Pollution degree :3
- Rated impulse voltage :6kv¹⁰
- Insulation resistance :≥10Ω
- Material:Polycarbonate
- Rated voltage acc.to UL/CSA:600V
- Limiting temperatures : -40℃~+125℃
- Flammability acc.to UL94:V0
- Mechanical working life (mating cycles) :≥500

Contacts

- Material:Copper alloy
- Surface:hard-silver plated
- Contact resistance :≤1mΩ
- Terminal :Screw terminal
- Wire gauge :1.0-2.5mm² (AWG 18-14)
- Tightening torque :0.5Nm
- Stripping length :7.5mm
- Rohs Compliance



PART NO.: /	DEGSON® 宁波高松电子有限公司
APPD: HJS 2016.8.5	NINGBO DEGSON ELECTRICAL CO., LTD
CHKD: LJM 2016.9.5	NAME: DE-006-F
DRFT: Mr. Yang 2016.08.08	TITLE: CUSTOMER DRAWING
THIRD ANGLE PROJECTION	DRAWING NO.: /
	DO NOT SCALE
MM (INCH)	REV DO
2	SHEET 1/1
1	SCALE 1:1

DETACHED LISTS