

REVISION RECORD				
REV.	ECN	DESCRIPTION	DRFT	DATE

Technical characteristics:

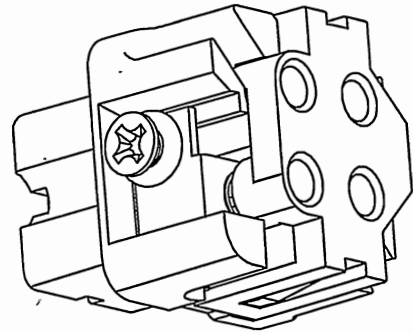
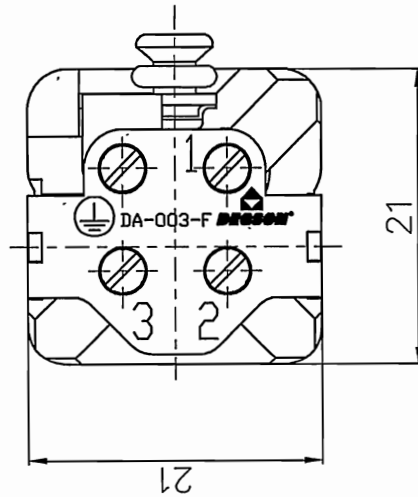
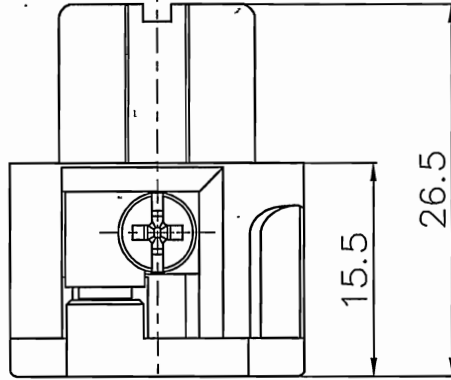
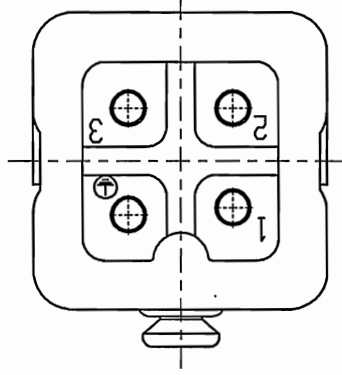
Specifications
 DIN EN 60 664-1
 DIN EN 61 984
 Approvals:

Inserts

01. Number of contacts :3+PE
02. Rated Current :10A
03. Rated Voltage conductor-ground :230V
04. Rated Voltage conductor-conductor :400V
05. Pollution degree : 3
06. Rated impulse voltage :4kv
07. or:10A/250V/4kV/3
08. Insulation resistance : $\geq 10^9 \Omega$
09. Material:Polycarbonate
10. Colour:RAL 7032(Light grey)
11. Rated voltage acc. to UL/CSA:600V
12. Limiting temperatures : -40°C~+125°C
13. Flammability acc. to UL94:V0
14. Mechanical working life (mating cycles) : ≥ 500

Contacts

01. Material:Copper alloy
02. Surface:hard-silver plated
03. Contact resistance : $\leq 2m\Omega$
04. Terminal :Screw terminal
05. Wire gauge :1.0-2.5mm² (AWG 18-14)
06. Tightening torque :0.25Nm
07. Stripping length :4.5mm
08. Rohs Compliance



PART NO.: DA003F		NINGBO DEGSON ELECTRICAL CO., LTD	
APPD: Hys 2016.7.18	NAME: 宁波高松电子有限公司		
CHKD: Lym 2016.7.16	DEGSON®		
DRFT: Mr.Yang 2016.06.16	DA-003-F		
THIRD ANGLE PROJECTION		TITLE: CUSTOMER DRAWING	
		REV	DO-1
		DRAWING NO:	DA-003-F-E01
		SHEET	1/1
		DO NOT SCALE DRAWING	SCALE
			2:1

