



## KNIFE-GATE VALVES

## AB SERIES

31/07/2014

### BIDIRECTIONAL WAFER Knife Gate Valve

- Bidirectional wafer-design knife gate valve.
- One-piece cast body.
- Provides high flow rates with low pressure drop.
- Various seat and packing materials available.
- Face-to-face dimension in accordance with CMO standard.

#### General Applications:

- This knife gate valve is suitable for liquids that contain a maximum of 4% suspended solids. Designed for applications such as:
  - Chemical plants
  - Pumping
  - Food Industry
- Sewage treatment
- In all these applications, the valve should be installed once the fluid has been filtered, to eliminate solids or large particles it contains.

**Sizes:** ND50 to ND600.

**Working Pressure:**

- ND50 to ND150: 10kg/cm<sup>2</sup>
- ND200: 8kg/cm<sup>2</sup>
- ND250 to ND300: 6kg/cm<sup>2</sup>
- ND350 to ND400: 5kg/cm<sup>2</sup>
- ND450 to ND600: 3kg/cm<sup>2</sup>

**Standard Flanges:** DIN PN10 and ANSI B16.5 (class 150)

**Other Common Flanges:** DIN PN 6      DIN PN 16      DIN PN25  
BS "D" and "E"      ANSI 150      Others on request:

#### Directives:

- Machinery Directive: **DIR 2006/42/EC (MACHINERY)**
- Pressure Equipment Directive: **DIR 97/23/EC (PED) ART.3, P.3**
- Potential Explosive Atmospheres Directive: **DIR 94/9/EC (ATEX) CAT.3 ZONE 2 and 22 GD** For further information on categories and zones please contact the CMO Technical-Commercial Dept.

#### Quality Dossier:

- All valves are tested hydrostatically at CMO and material and test certificates can be provided.
- Body test = working pressure x 1.5.
- Seat test = working pressure x 1.1.

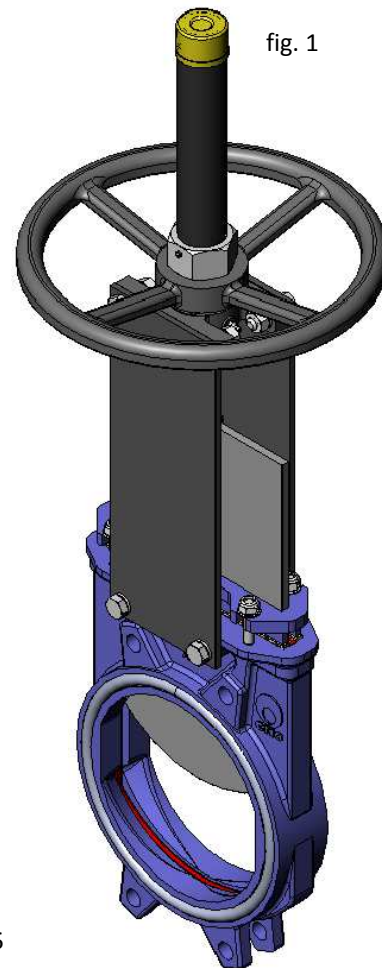


fig. 1

## KNIFE-GATE VALVES

## AB SERIES

### Advantages of CMO's "Model AB" compared to similar products

This valve's main characteristic is the body design. It is a one-piece machined cast body with wedges on both sides that offers the ability to work with fluids in both directions with the same pressure.

The sealing joint has a stainless steel ring that ensures that the inside of the body is kept clean and prevents the joint from coming loose. This design provides a completely flat seat with no internal cavities and avoids any build up of solids in the seat area.

The stem protection hood is independent from the handwheel securing nut, this means the hood can be disassembled without the need to release the handwheel. This advantage allows regular maintenance operations to be performed, such as lubricating the stem, etc.

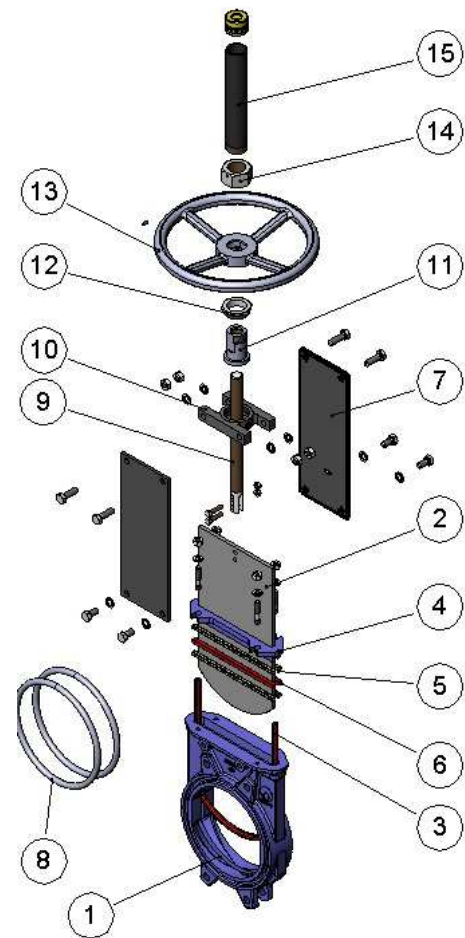
The stem on the CMO valve is made of 18/8 stainless steel. This is another added advantage, as some manufacturers produce it with 13% chrome and it gets rusty very quickly.

The handwheel is made of GJS-500 nodular cast iron. Some manufacturers produce them in normal cast iron which can lead to breakages in the event of very high operating torque or knocks.

The yoke is has a compact design with the bronze actuator nut protected in a sealed and lubricated box. This makes it possible to move the valve with a key, even without the handwheel (in other manufacturers' products this is not possible).

The pneumatic actuator's upper and lower covers are made of GJS-400 nodular cast iron, making them highly shock resistant. This characteristic is essential in pneumatic actuators.

The pneumatic cylinder's o-ring seals are commercial products and can be purchased worldwide. This means it is not necessary to contact CMO every time a seal is required.



STANDARD COMPONENTS LIST		
COMPONENT	CAST IRON VERSION	STAINLESS STEEL VERSION
1- Body	GJL-250	CF8M
2- Gate	AISI304	AISI316
3- Seat	EPDM	EPDM
4- Packing gland	GJS-500	CF8M
5- Packing	SYNT + PTFE	SYNT + PTFE
6- O-ring seal	EPDM	EPDM
7- Support plates	S275JR	S275JR
8- O-ring	NITRILE	NITRILE
9- Stem	AISI303	AISI303
10- Yoke	STEEL	STEEL
11- Stem nut	BRONZE	BRONZE
12- Check nut	ST44.2 + ZINC	ST44.2 + ZINC
13- Handwheel	NODULAR CAST IRON	NODULAR CAST IRON
14- Nut	STEEL	STEEL
15- Hood	STEEL	STEEL

table 1

fig. 2



## KNIFE-GATE VALVES

## AB SERIES

### DESIGN CHARACTERISTICS

#### 1- BODY

Bidirectional wafer-design knife gate valve. One-piece cast iron body.

Full port designed to provide high flow rates with low pressure drop.

The body's internal design prevents any build up of solids in the seat area.

The standard manufacturing materials are GJL-250 cast iron and CF8M stainless steel. Other materials, such as GJS-500 nodular cast iron, A216WCB carbon steel and stainless steel alloys (AISI316Ti, Duplex, 254SMO, Uranus B6...) are available on request. As standard, iron or carbon steel valves are painted with an anti-corrosive protection of 80 microns of EPOXY (colour RAL 5015). Other types of anti-corrosive protections are available on request.

#### 2- GATE

The standard manufacturing materials are AISI304 stainless steel in valves with iron body and AISI316 stainless steel in valves with CF8M body. Other materials or combinations can be supplied on request.

The gate is polished on both sides to provide a smooth contact surface with the resilient seat. At the same time, the gate is rounded to prevent the seat from being cut. Different degrees of polishing, anti-abrasion treatments and modifications are available to adapt the valves to the customer's requirements.

#### 3- SEAT: (watertight)

There is only one seat design available on the AB valve and it must always be soft seated. It can never have a metal or PTFE sealing joint.

Below we show the detail of the seat:

The AB valve seat is a square rubber joint with an internal stainless steel wire.

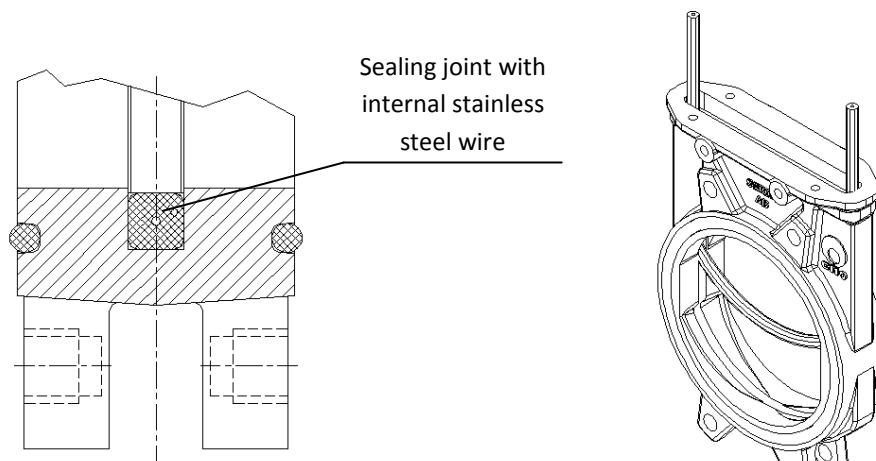


fig. 3 and 4

This rubber joint is inserted inside the body in such a way that it starts on one side, level with the packing, and continues around the body to reach the other end of the packing area.

## KNIFE-GATE VALVES

## AB SERIES

This means that the sealing joint is not installed around the whole perimeter of the valve's flow passing hole, but rather, it is installed in a U shape, to cover the gate's perimeter.

The internal stainless steel wire helps to keep the U shape and ensures that the joint does not come out of the body because of the flow as it passes through the valve.

This design provides a completely flat seal with no cavities and avoids any solids being stored in the seal area.

### Resilient seat materials

#### **EPDM**

This is the standard resilient seat fitted on CMO valves. It can be used in many applications, however, it is generally used for water and products diluted in water at temperatures no higher than 90°C\*. It can also be used with abrasive products and it provides the valve with 100% watertight integrity.

#### **NITRILE**


It is used in fluids containing fats or oils at temperatures no higher than 90°C\*. It provides the valve with 100% watertight integrity.

#### **VITON**

Suitable for corrosive applications and continuous high temperatures of up to 190°C and peaks of 210°C. It provides the valve with 100% watertight integrity.

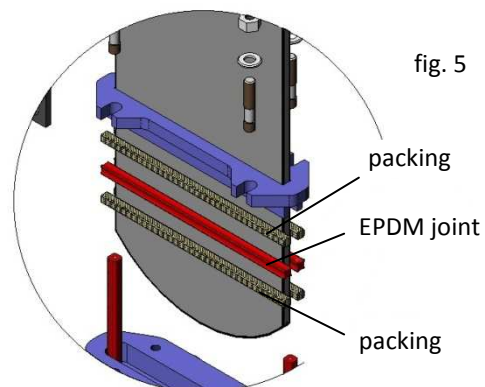
#### **SILICONE**

Mainly used in the food industry and for pharmaceutical products with temperatures no higher than 200°C. It provides the valve with 100% watertight integrity.

 **Note:** In some applications other types of resilient materials are used, such as hypalon, butile or natural rubber. Please contact us if you require one of these materials.

## 4- PACKING

CMO's standard packing is composed of three lines with a specially designed EPDM O-ring in the middle which provides watertight integrity between the body and the gate, preventing any type of leakage to the atmosphere. It is located in an easily accessible place and can be replaced without dismantling the valve from the pipeline. Below we indicate various types of packing available according to the application in which the valve is located:



**GREASED COTTON (Recommended for hydraulic services):** This packing is composed of braided cotton fibres soaked in grease both inside and out. It is for general use in hydraulic applications in both pumps and valves.

**DRY COTTON:** This packing is composed of cotton fibres. It is for general use in hydraulic applications with solids.

**COTTON + PTFE:** This packing is composed of braided cotton fibres soaked in PTFE both inside and out. It is for general use in hydraulic applications in both pumps and valves.

**SYNTHETIC + PTFE:** This packing is composed of braided synthetic fibres soaked in PTFE both inside and out. It is for general use in hydraulic applications in both pumps and valves and in all types of fluids,

## KNIFE-GATE VALVES

## AB SERIES

especially corrosive ones, including concentrated and oxidising oils. It is also used in liquids with solid particles in suspension.

**GRAPHITE:** This packing is composed of high-purity graphite fibres. A diagonal braiding system is used and it is impregnated with graphite and lubricant which helps to reduce porosity and improve operation. It has a wide range of applications as graphite is resistant to steam, water, oils, solvents, alkali and most acids.

**CERAMIC FIBRE:** This packing is composed of ceramic material fibres. Its main applications are with air or gas at high temperatures and low pressures.

Table 2

SEAT/SEALS			PACKING			
Material	Max. T. (°C)	Applications	Material	P (bar)	Max. T. (°C)	pH
EPDM (E)	90 *	Mineral acids and oils	Greased cotton	10	100	6-8
Nitrile (N)	90 *	Hydrocarbons, oils and greases	Dry cotton (AS)	0.5	100	6-8
Viton (V)	200	Hydrocarbons and solvents	Synthetic + PTFE	100	-200+270	0-14
Silicone (S)	200	Food Products	Graphite	40	650	0-14
<b>NOTE: More details and other materials available on request.</b>			Ceramic Fibre	0.3	1400	0-14

\* → EPDM and nitrile: is possible until serving temperature Max.: 120°C under request.

### 5- STEM

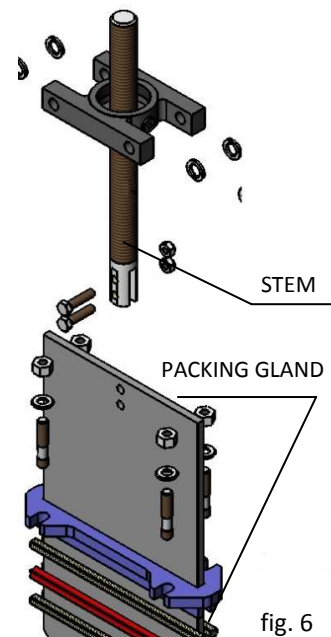
The stem on the CMO valve is made of 18/8 stainless steel. This characteristic provides high resistance and excellent corrosion-resistant properties.

The valve design can be rising stem or non-rising stem. When rising stem is required a stem hood is supplied to protect the stem from contact with dust and dirt, as well as keeping it lubricated.

### 6- PACKING GLAND

The packing gland allows uniform force and pressure to be applied to the packing to ensure watertight integrity.

As standard, valves with cast iron body include GJS-500 packing glands, whilst valves with stainless steel body have CF8M packing glands.



### 7- ACTUATORS

All types of actuators can be supplied, with the advantage that the CMO design is fully interchangeable. It is not possible to change the levers action.

This design allows the customer to change the actuators themselves and normally no extra assembly accessories are required. In the event any accessory is required, CMO will supply it.

**Manual:**

Handwheel with rising stem  
Handwheel with non-rising stem  
Chainwheel  
Lever  
Gear Box  
Others (square nut...)

**Automatic:**

Electric actuator  
Pneumatic cylinder  
Hydraulic cylinder

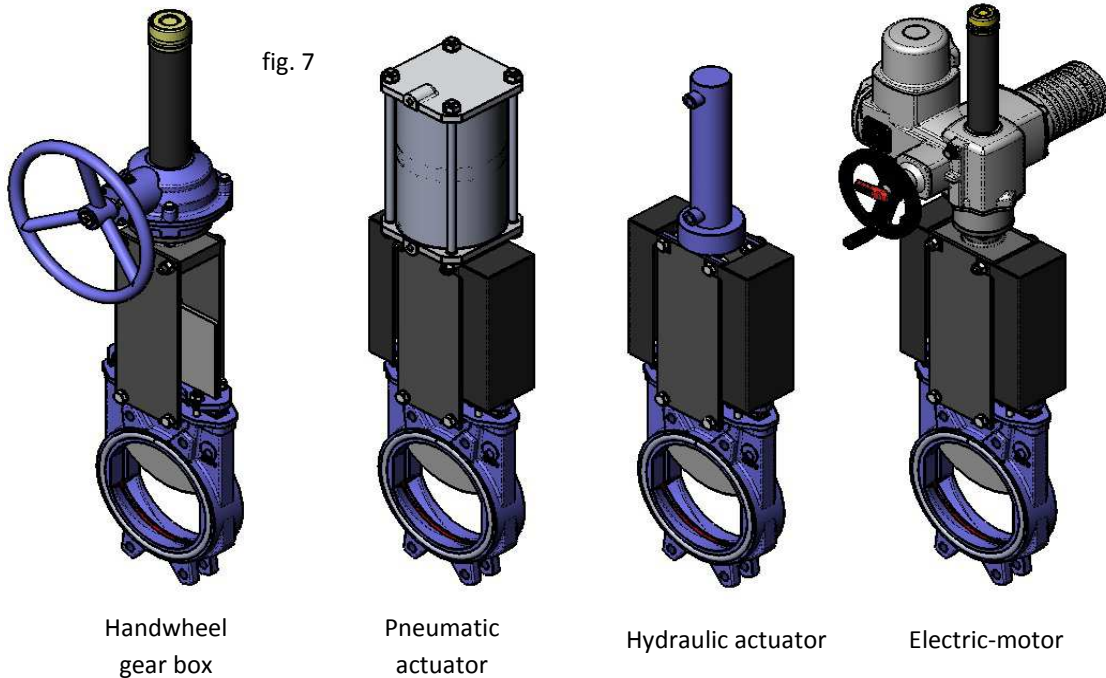
The chainwheel and gear box actuators are also available with non-rising stem.

Graphical representation of some actuators on the next page (Fig. 7).



## KNIFE-GATE VALVES

## AB SERIES



## ACCESSORIES AND OPTIONS

Different types of accessories are available to adapt the valve to specific working conditions such as:

### Mirror Polished Gate

Recommended for the food industry, its function is to prevent solids from sticking to the gate. They slide off the gate and do not stick to it.

### PTFE Lined Gate

As with the mirror polished gate, it improves the valve's resistance to products that can stick to the gate.

### Stellited Gate

Stellite is added to the gate's lower edge to protect it from abrasion.

### Scraper in the Packing

Its function is to clean the gate during the opening movement and prevent possible damage to the packing.

### Air Injection in the Packing Gland

By injecting air in the packing, an air chamber is created which improves the watertight integrity.

### Heating Jacket

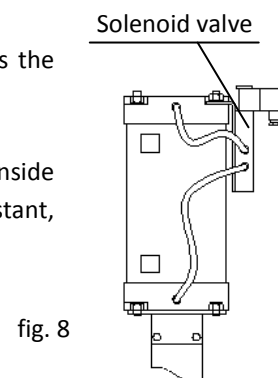
Recommended in applications in which the fluid can harden and solidify inside the valve's body. An external jacket keeps the body temperature constant, preventing the fluid from solidifying.

### Mechanical Limit Switches, Inductive Switches and Positioners

Indicates the valve's specific or continuous position.

### Solenoid valves (Fig. 8)

For air distribution to pneumatic actuators.





## KNIFE-GATE VALVES

## AB SERIES

### Connection Boxes, Wiring and Pneumatic Piping

Fully assembled units can be supplied with all the necessary accessories.

### Stroke Limiting Mechanical Stops

#### Mechanical Locking Device

Allows the valve to be mechanically locked in a set position for long periods of time.

#### Emergency Manual Actuator (Hand Wheel /Gear Box)

Allows manual operation of the valve in the event of power or air failure.

#### Triangular (V-Notch) and Pentagonal Diaphragm with Indication Rule (fig. 9)

Recommended for applications in which flow regulation is required.

Allows flow control according to the valve's opening percentage.

#### Interchangeable Actuators

All actuators are easily interchangeable, except the lever.

#### Actuator or Yoke Support

Made of EPOXY-coated steel (or stainless steel on request), its robust design gives it great rigidity in order to resist the most adverse operation conditions.

#### Epoxy Coating

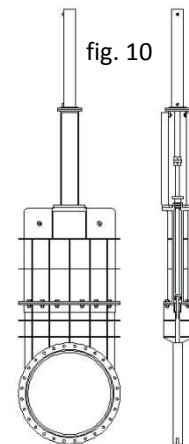
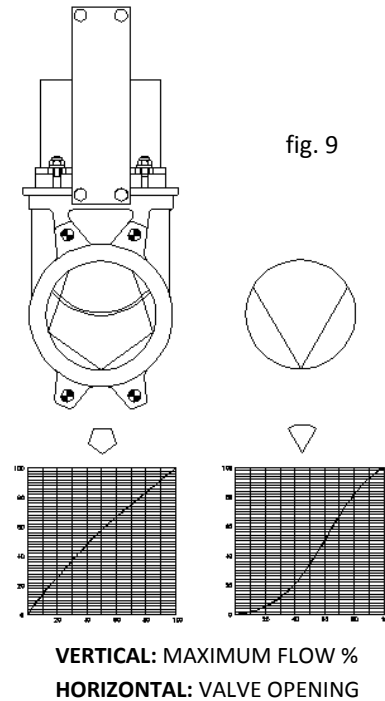
All cast iron and carbon steel bodies and components on CMO valves are EPOXY coated, giving the valves great resistance to corrosion and an excellent finish. CMO's standard colour is blue, RAL-5015.

#### Gate Safety Protection

In accordance with European Safety Standards ("EC" marking), CMO automated valves are equipped with gate guards, to prevent any objects from being accidentally caught in the gate.

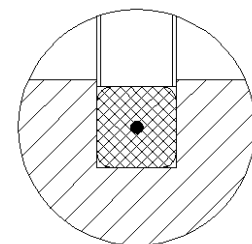
#### Bonnet (fig. 10)

The bonnet provides total watertight integrity to the outside, reducing the packing maintenance required.



## TYPES OF SEAL

**Watertight seal:** The joint is fitted into the body, inserted in the seat and in contact with the whole perimeter of the gate which is in contact with the body, this ensures perfect watertight integrity and circulation in both directions, it also prevents build up of solids on the seat making it difficult to seal. The joint contains an internal wire, as can be seen in Figure 11.





# KNIFE-GATE VALVES

# AB SERIES

## TYPES OF EXTENSION

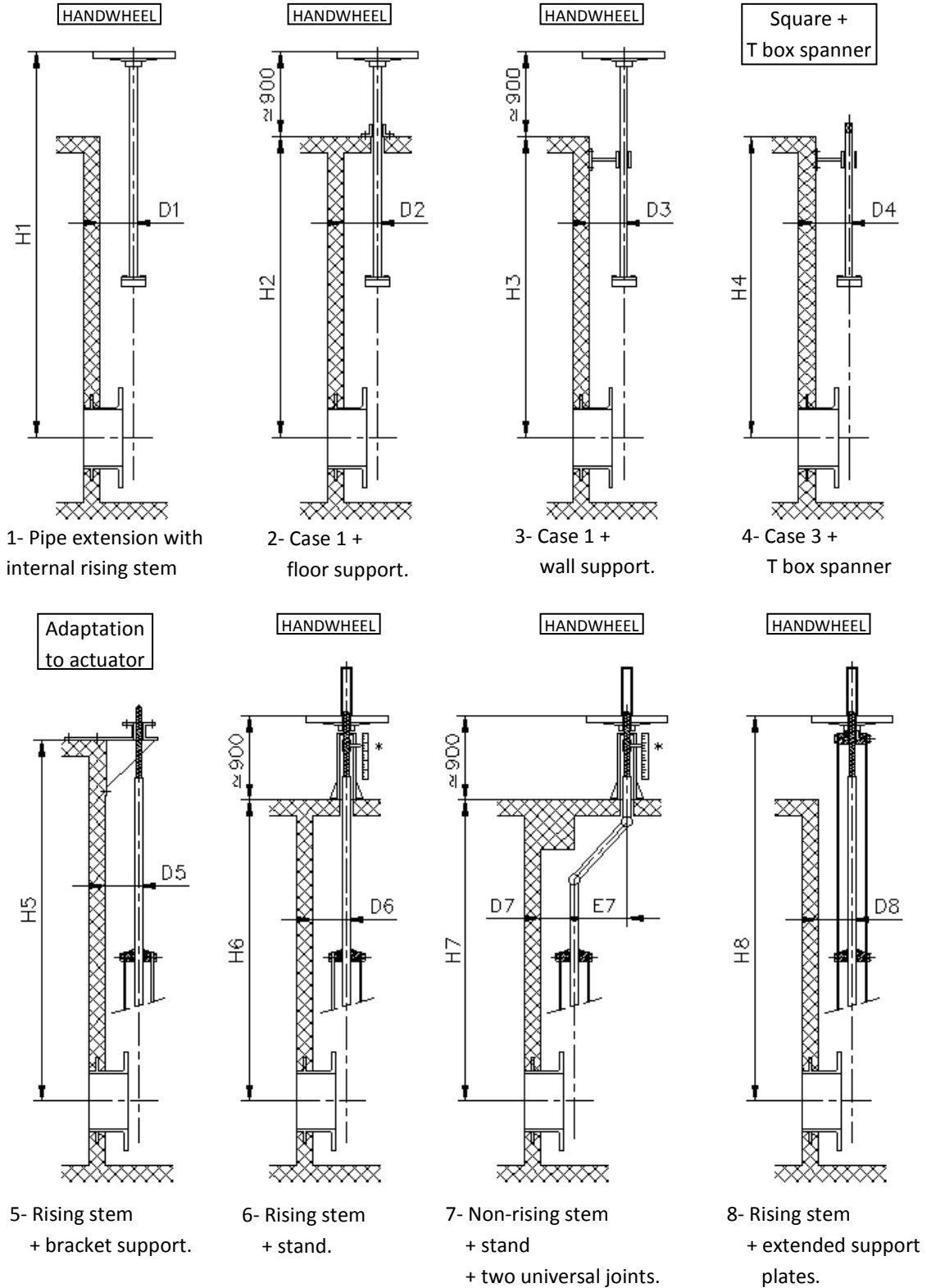


fig. 12

\*OPTIONAL: position indicator on the floor stand.



## KNIFE-GATE VALVES

## AB SERIES

### HANDWHEEL with Rising Stem

- **B = Max. width** of the valve (without actuator)
- **D = Max. height** of the valve (without actuator)

- Options:

- Locking devices
- Extensions: stand, pipe, plates...
- ND higher than those give in the table

- Actuator including:

- Handwheel
- Stem
- Nut
- Stem protection hood

- Available: ND 50 to ND 600.

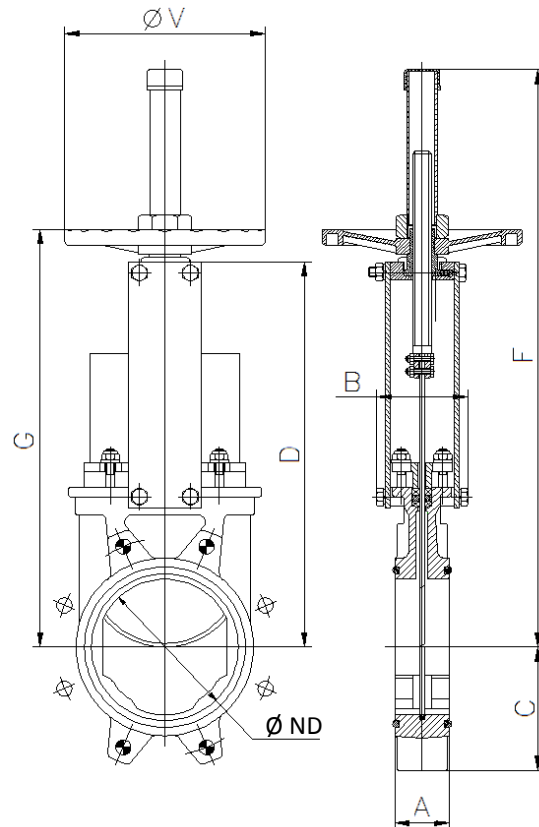


fig. 13

ND	$\Delta P$ (Kg/cm <sup>2</sup> )	DRAW (Nw)	TORQ. (Nm)	A	B	C	D	F	G	$\phi V$	Weight (kg.)
50	10	1143	2.64	40	91	61	241	410	280	225	7
65	10	1952	4.45	40	91	68	268	437	308	225	8
80	10	2957	6.76	50	91	91	294	463	333	225	9
100	10	4617	10.5	50	91	104	334	503	373	225	11
125	10	7213	16.5	50	101	118	367	586	407	225	13
150	10	7290	16.6	60	101	130	419	638	458	225	17
200	8	12975	37.1	60	118	159	525	816	578	325	28
250	6	14522	41.4	70	118	196	626	1017	679	325	40
300	6	20942	59.8	70	118	230	726	1117	779	380	56
350	5	22810	88.5	96	290	254	797	1337	906	450	94
400	5	29879	115.9	100	290	287	903	1443	1012	450	116
450	3	28461	110.3	106	290	304	989	1629	1098	450	162
500	3	35333	137.1	110	290	340	1101	1741	1210	450	187
600	3	51235	198.6	110	290	398	1307	2047	1416	450	260

Table 3



## KNIFE-GATE VALVES

## AB SERIES

### HANDWHEEL with Non-Rising Stem

- Suitable when no size limitations exist.
- **J = Max. width** of the valve (without actuator)  
**D = Max. height** of the valve (without actuator)
- Options:
  - Square nut
  - Locking devices
  - Extensions: stand, pipe, plates...
  - ND higher than those give in the table
- Actuator including:
  - Handwheel
  - Stem
  - Guide bearings on the yoke.
  - Nut
- Available: ND50 to ND600.

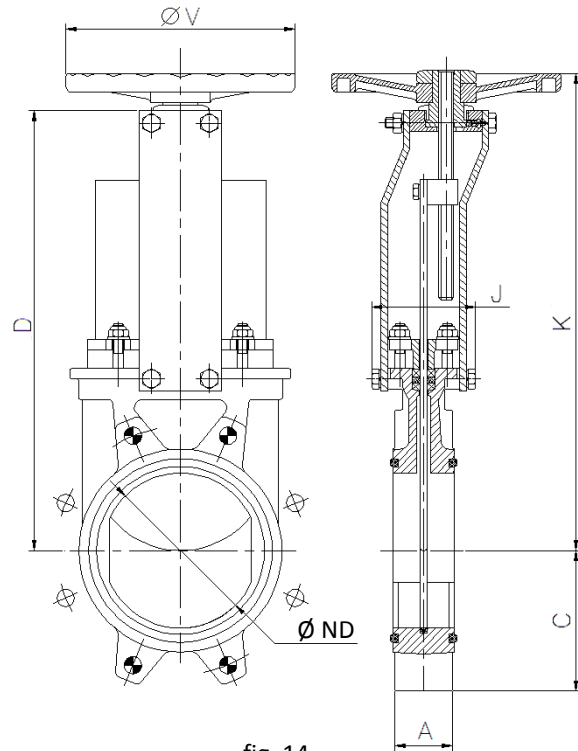


fig. 14

ND	$\Delta P$ (Kg/cm <sup>2</sup> )	DRAW (Nw)	TORQ. (Nm)	A	C	D	J	K	$\phi V$	Weight (kg.)
50	10	1143	2.64	40	61	241	101	280	225	7
65	10	1952	4.45	40	68	268	101	308	225	8
80	10	2957	6.76	50	91	294	101	333	225	9
100	10	4617	10.5	50	104	334	101	373	225	11
125	10	7213	16.5	50	118	367	111	407	225	13
150	10	7290	16.6	60	130	419	111	458	225	17
200	8	12975	37.1	60	159	525	128	578	325	28
250	6	14522	41.4	70	196	626	128	679	325	40
300	6	20942	59.8	70	230	726	128	779	380	56
350	5	22810	88.5	96	254	797	305	906	450	94
400	5	29879	115.9	100	287	903	305	1012	450	116
450	3	28461	110.3	106	304	989	305	1098	450	162
500	3	35333	137.1	110	340	1101	305	1210	450	187
600	3	51235	198.6	110	398	1307	305	1416	450	260

Table 4



## KNIFE-GATE VALVES

## AB SERIES

### CHAINWHEEL

- Widely used in raised installations with difficult access, the handwheel is fitted in vertical position.

- **B = Max. width** of the valve (without actuator)
- **D = Max. height** of the valve (without actuator)

- Options:

- Locking devices
- Extensions: stand, pipe, plates...
- Non-rising stem
- ND higher than those give in the table

- Including:

- Handwheel
- Stem
- Nut
- Hood
- Chain

- Available: ND 50 to ND 600.

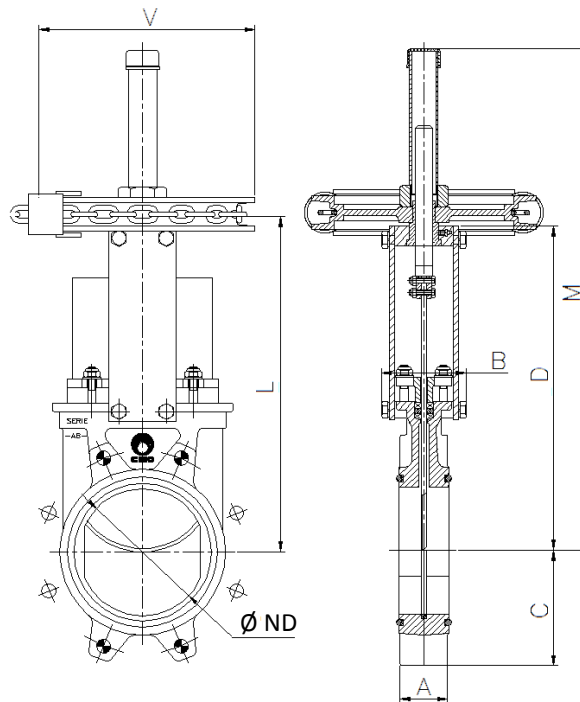


fig. 15

ND	$\Delta P$ (Kg/cm <sup>2</sup> )	DRAW (Nw)	TORQ. (Nm)	A	B	C	D	L	M	$\phi V$	Weight (kg.)
50	10	1143	2.64	40	91	61	241	280	410	225	7
65	10	1952	4.45	40	91	68	268	308	437	225	8
80	10	2957	6.76	50	91	91	294	333	463	225	9
100	10	4617	10.5	50	91	104	334	373	503	225	11
125	10	7213	16.5	50	101	118	367	407	586	225	13
150	10	7290	16.6	60	101	130	419	458	638	225	17
200	8	12975	37.1	60	118	159	525	578	816	300	28
250	6	14522	41.4	70	118	196	626	679	1017	300	40
300	6	20942	59.8	70	118	230	726	779	1117	300	56
350	5	22810	88.5	96	290	254	797	906	1337	402	94
400	5	29879	115.9	100	290	287	903	1012	1443	402	116
450	3	28461	110.3	106	290	304	989	1098	1629	402	162
500	3	35333	137.1	110	290	340	1101	1210	1741	402	187
600	3	51235	198.6	110	290	398	1307	1416	2047	402	260

Table 5



# KNIFE-GATE VALVES

# AB SERIES

## LEVER

- It is a fast actuator
- **B = Max. width** of the valve (without actuator)  
**D = Max. height** of the valve (without actuator)
- The actuator includes:
  - Lever
  - Rod
  - Guide bearing
  - External limiting switches to maintain the position
- Available: ND 50 to ND 200, other ND on request.
- \* Drive designed to maneuver to 2 Kg/cm<sup>2</sup> of differential pressure ( $\Delta P$ ).

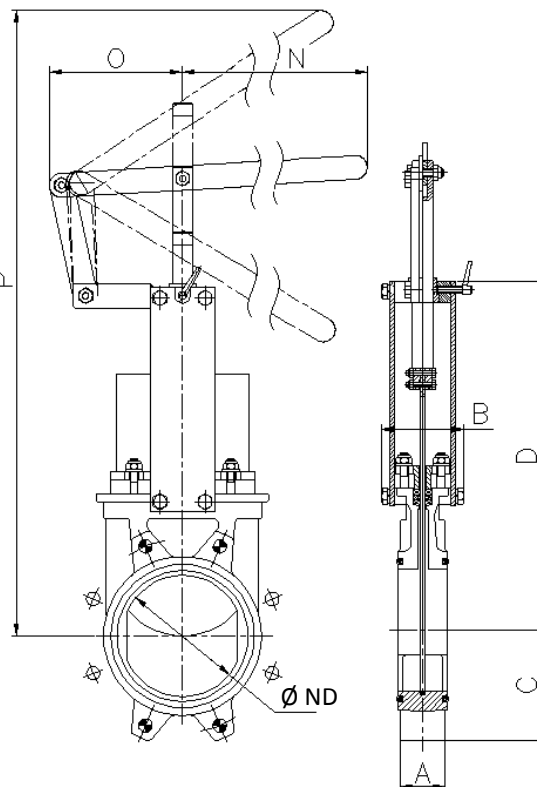


fig. 16

ND	$\Delta P$ (Kg/cm <sup>2</sup> )	DRAW (Nw)	A	B	C	D	N	O	P	Weight (kg.)
50	10*	241*	40	91	61	241	325	155	504	9
65	10*	406*	40	91	68	268	325	155	526	10
80	10*	613*	50	91	91	294	325	155	549	11
100	10*	954*	50	91	104	334	325	155	605	13
125	10*	1494*	50	101	118	367	425	155	902	16
150	10*	2151*	60	101	130	419	425	155	956	20
200	8*	3832*	60	118	159	525	620	290	1027	32

Table 6



## KNIFE-GATE VALVES

## AB SERIES

### GEAR BOX

- **B = Max. width** of the valve (without actuator)
- **D = Max. height** of the valve (without actuator)
- Options:
  - Chainwheel
  - Extensions: stand, pipe, plates...
  - Locking devices
  - **Non-rising stem**
- Actuator including:
  - Stem
  - Yoke
  - Cone-shaped gear box
  - Handwheel
- Standard ratio = 4 to 1 .
- Available: ND 50 to ND 600.

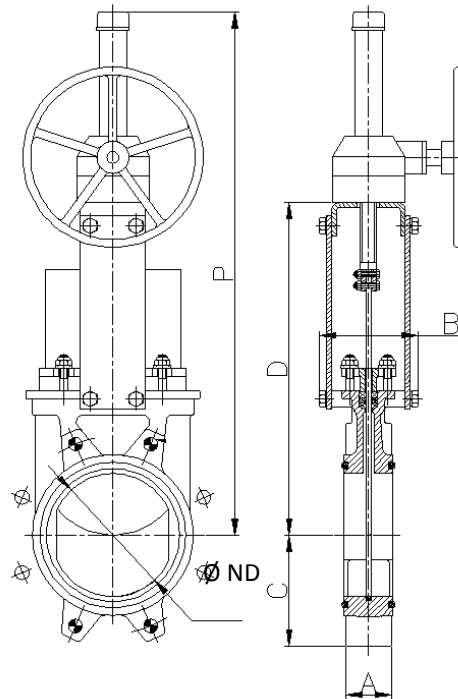


fig. 17

ND	$\Delta P$ (Kg/cm <sup>2</sup> )	DRAW (Nw)	TORQ. (Nm)	A	B	C	D	P	Weight (kg.)
50	10	1143	2.64	40	91	61	241	540	20
65	10	1952	4.45	40	91	68	268	566	21
80	10	2957	6.76	50	91	91	294	592	22
100	10	4617	10.5	50	91	104	334	632	24
125	10	7213	16.5	50	101	118	367	665	26
150	10	7290	16.6	60	101	130	419	717	30
200	8	12975	37.1	60	118	159	525	942	41
250	6	14522	41.4	70	118	196	626	1033	53
300	6	20942	59.8	70	118	230	726	1121	69
350	5	22810	88.5	96	290	254	797	1305	107
400	5	29879	115.9	100	290	287	903	1403	130
450	3	28461	110.3	106	290	304	989	1677	183
500	3	35333	137.1	110	290	340	1101	1789	204
600	3	51235	198.6	110	290	398	1307	1995	288

Table 7



# KNIFE-GATE VALVES

# AB SERIES

## DOUBLE-ACTING PNEUMATIC CYLINDER

- CMO double-acting pneumatic actuators are designed to work at a pressure between 6 and 10 kg/cm<sup>2</sup>.
- 10 Kg/cm<sup>2</sup> is the maximum admissible air pressure. For air pressures below 6 Kg/cm<sup>2</sup> please consult manufacturer.
- For ND50 to ND200 valves, the cylinder's jacket and covers are made of aluminium, the rod of AISi304, the piston of rubber-coated steel and the O-ring seals are made of nitrile.
- For valves larger than ND200 the covers are made of nodular cast iron or carbon steel.
- On request, we can also supply the actuator made entirely of stainless steel, especially for installation in corrosive atmospheres.
- **B = Max. width** of the valve (without actuator)  
**D = Max. height** of the valve (without actuator)
- Available: ND50 to ND600.

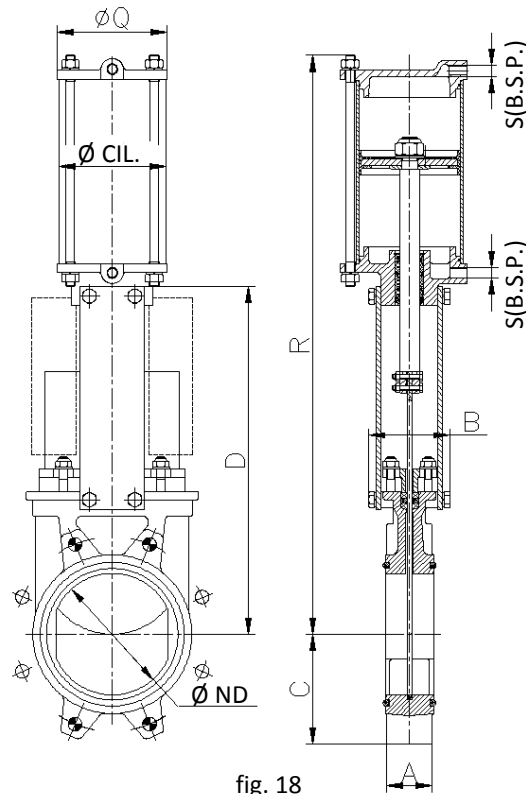


fig. 18

ND	ΔP (Kg/cm <sup>2</sup> )	DRAW (Nw)	A	B	C	D	R	Ø CIL.	Ø ROD	ØQ	S (B.S.P.)	Weight (kg.)
50	10	1143	40	91	61	241	400	80	20	90	1/4"	7
65	10	1952	40	91	68	268	442	80	20	90	1/4"	8
80	10	2957	50	91	91	294	483	80	20	110	1/4"	9
100	10	4617	50	91	104	334	546	100	20	135	1/4"	12
125	10	7213	50	101	118	367	630	125	25	170	1/4"	18
150	10	7290	60	101	130	419	692	125	25	170	1/4"	22
200	8	12975	60	118	159	525	869	160	30	215	1/4"	37
250	6	14522	70	118	196	626	1032	200	30	270	3/8"	58
300	6	20942	70	118	230	726	1182	200	30	270	3/8"	72
350	5	22810	96	290	254	797	1379	250	40	382	3/8"	130
400	5	29879	100	290	287	903	1535	250	40	382	3/8"	148
450	3	28461	106	290	304	989	1677	300	45	382	1/2"	235
500	3	35333	110	290	340	1101	1839	300	45	444	1/2"	260
600	3	51235	110	290	398	1307	2145	300	45	508	1/2"	334

Table 8



## KNIFE-GATE VALVES

## AB SERIES

### SINGLE-ACTING PNEUMATIC CYLINDER

- CMO single-acting pneumatic actuators are designed to work at a pressure between 6 and 10 kg/cm<sup>2</sup>.
- 10 Kg/cm<sup>2</sup> is the maximum admissible air pressure. For air pressures below 6 Kg/cm<sup>2</sup> please consult manufacturer.
- Available (spring closes or spring opens).
- The jacket is made of aluminium, the covers of nodular cast iron or carbon steel, the rod of AISI304, the piston of rubber-coated steel and the O-ring seals of nitrile.
- The **actuator** design is **spring** activated for valves with diameters **up to ND200**. For larger diameters the actuator contains a double-acting cylinder and an air tank which stores the volume of air necessary to perform the last movement in the event of a fault.
- **B = Max. width** of the valve (without actuator)  
**D = Max. height** of the valve (without actuator)

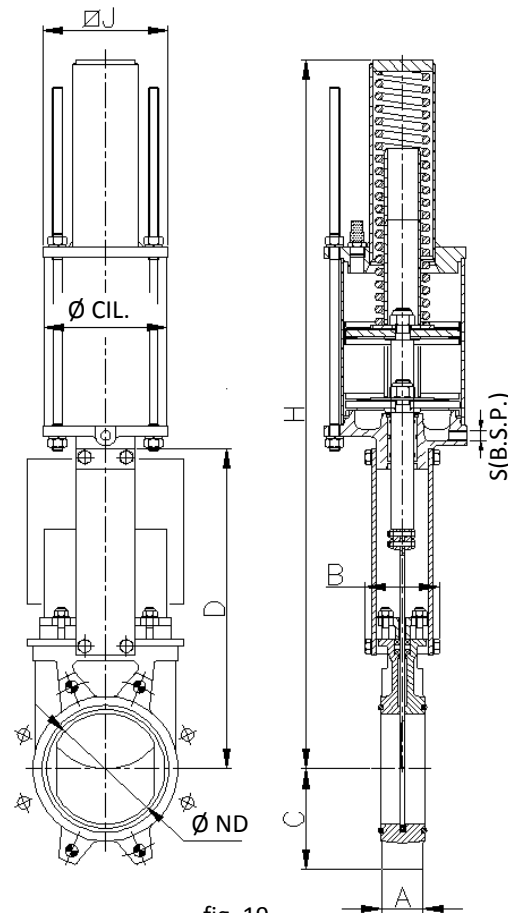


fig. 19

**Note:** Please see the "CMO Pneumatic Actuators" catalogue if you require further information.

ND	$\Delta P$ (Kg/cm <sup>2</sup> )	DRAW (Nw)	TORQ. (Nm)	A	B	C	D	H	$\phi J$	$\phi$ CIL.	$\phi$ ROD	S (B.S.P.)	Weight (kg.)
50	10	1143	2.64	40	91	61	241	781	135	125	25	1/4"	19
65	10	1952	4.45	40	91	68	268	806	135	125	25	1/4"	22
80	10	2957	6.76	50	91	91	294	833	135	125	25	1/4"	23
100	10	4617	10.5	50	91	104	334	873	135	125	25	1/4"	24
125	10	7213	16.5	50	101	118	367	909	135	160	30	1/4"	35
150	10	7290	16.6	60	101	130	419	960	135	160	30	1/4"	36
200	8	12975	37.1	60	118	159	525	1355	170	200	30	3/8"	66

Table 9



# KNIFE-GATE VALVES

# AB SERIES

## ELECTRIC ACTUATOR

- This actuator is automatic and includes the following parts:
  - Electric motor
  - Stem
  - Yoke
- The electric motor includes:
  - Emergency manual handwheel
  - Limit switches
  - Torque switches
- Options:
  - Different types and brands
  - Non-rising stem
- ISO 5210 / DIN 3338 Flanges
- Available: ND 50 to ND 600.
- From DN500 the motor is assisted with a gear box.

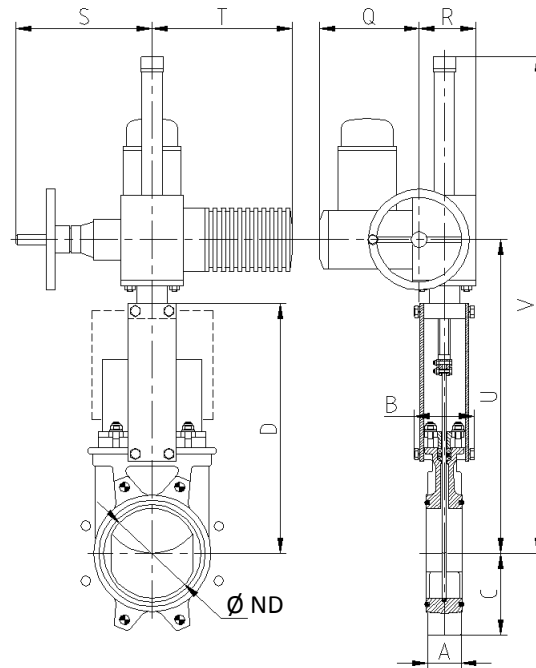


fig. 20

ND	$\Delta P$ (Kg/cm <sup>2</sup> )	DRAW (Nw)	TORQ. (Nm)	A	B	C	D	Q	R	S	T	U	V	Peso (kg.)
50	10	1143	2.64	40	91	61	241	197	102	234	265	347	587	24
65	10	1952	4.45	40	91	68	268	197	102	234	265	374	614	25
80	10	2957	6.76	50	91	91	294	197	102	234	265	400	640	26
100	10	4617	10.5	50	91	104	334	197	102	234	265	440	680	27
125	10	7213	16.5	50	101	118	367	197	102	234	265	473	713	30
150	10	7290	16.6	60	101	130	419	197	102	234	265	525	765	32
200	8	12975	37.1	60	118	159	525	197	102	234	265	640	880	42
250	6	14522	41.4	70	118	196	626	197	102	234	265	741	981	55
300	6	20942	59.8	70	118	230	726	197	102	234	265	841	1141	72
350	5	22810	88.5	96	290	254	797	197	115	256	282	944	1347	99
400	5	29879	115.9	100	290	287	903	197	115	256	282	1050	1550	136
450	3	28461	110.3	106	290	304	989	222	153	325	385	1147	1847	166
500	3	35333	137.1	110	290	340	1101	222	153	325	385	1259	1959	245
600	3	51235	198.6	110	290	398	1307	222	153	325	385	1465	2165	362

Table 10



## KNIFE-GATE VALVES

## AB SERIES

### HYDRAULIC ACTUATOR (Oil pressure: 135 Kg/cm<sup>2</sup>)

- **B = Max. width** of the valve (without actuator)
- **D = Max. height** of the valve (without actuator)
- The hydraulic actuator includes:
  - Hydraulic cylinder
  - Yoke
- Available: ND 50 to ND 600
- Different types and brands available according to customer's requirements.

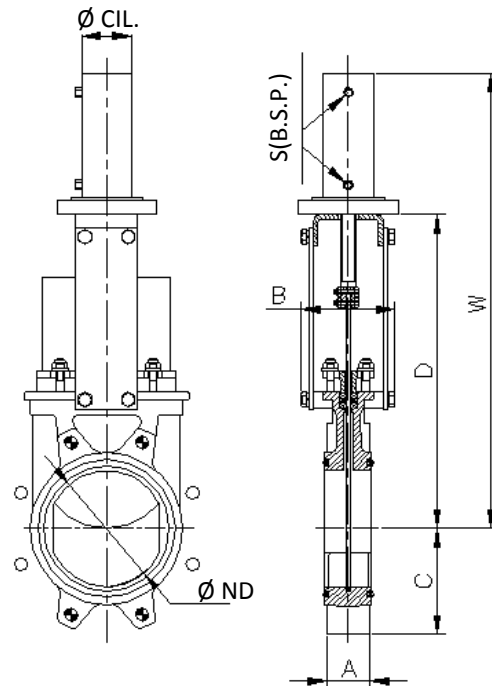


fig. 21

ND	$\Delta P$ (Kg/cm <sup>2</sup> )	DRAW (Nw)	A	B	C	D	W	$\varnothing$ CIL.	$\varnothing$ ROD	S (B.S.P.)	Oil Cap. (dm <sup>3</sup> )	Weight (kg.)
50	10	1143	40	91	61	241	457	25	18	3/8"	0.03	7
65	10	1952	40	91	68	268	500	25	18	3/8"	0.04	8
80	10	2957	50	91	91	294	560	32	22	3/8"	0.08	9
100	10	4617	50	91	104	334	620	32	22	3/8"	0.09	12
125	10	7213	50	101	118	367	683	40	28	3/8"	0.18	15
150	10	7290	60	101	130	419	755	50	28	3/8"	0.32	20
200	8	12975	60	118	159	525	926	50	28	3/8"	0.42	31
250	6	14522	70	118	196	626	1077	50	28	3/8"	0.52	44
300	6	20942	70	118	230	726	1246	63	36	3/8"	0.98	62
350	5	22810	96	290	254	797	1376	63	36	3/8"	1.14	100
400	5	29879	100	290	287	903	1532	80	45	3/8"	2.11	138
450	3	28461	106	290	304	989	1707	80	45	3/8"	2.36	161
500	3	35333	110	290	340	1101	1869	80	45	3/8"	2.61	223
600	3	51235	110	290	398	1307	2176	100	56	1/2"	4.87	325

Table 11



# KNIFE-GATE VALVES

# AB SERIES

## INFORMATION ABOUT FLANGE DIMENSIONS

### EN 1092-2 PN10

ND	$\Delta P$ (Kg/cm <sup>2</sup> )	•	o	Métric	P	ØK
50	10	4	-	M 16	8	125
65	10	4	-	M 16	8	145
80	10	4	4	M 16	9	160
100	10	4	4	M 16	9	180
125	10	4	4	M 16	9	210
150	10	4	4	M 20	10	240
200	8	4	4	M 20	10	295
250	6	6	6	M 20	12	350
300	6	6	6	M 20	12	400
350	5	12	4	M 20	21	460
400	5	12	4	M 24	21	515
450	3	16	4	M 24	22	565
500	3	16	4	M 24	22	620
600	3	16	4	M 27	22	725

Table 12

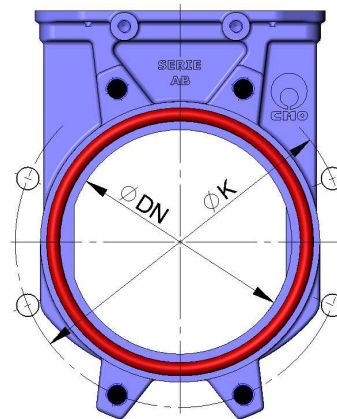


fig. 22

- BLIND TAPED HOLES
- THROUGH HOLE

### ANSI B16, class 150

ND	$\Delta P$ (Kg/cm <sup>2</sup> )	•	o	R UNC	P	ØK
2"	10	4	-	5/8"	8	120,6
2 ½"	10	4	-	5/8"	8	139,7
3"	10	4	-	5/8"	9	152,4
4"	10	4	4	5/8"	9	190,5
5"	10	4	4	3/4"	9	215,9
6"	10	4	4	3/4"	10	241,3
8"	8	4	4	3/4"	10	298,4
10"	6	6	6	7/8"	12	361,9
12"	6	6	6	7/8"	12	431,8
14"	5	8	4	1"	21	476,2
16"	5	12	4	1"	21	539,7
18"	3	12	4	1 ½"	22	577,8
20"	3	16	4	1 ½"	22	635
24"	3	16	4	1 ¾"	22	749,3

Table 13

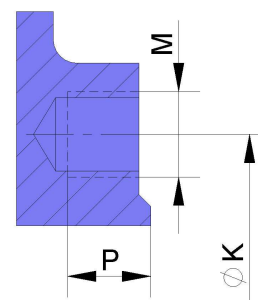


fig. 23