

BUTTERFLY VALVE METAL/METAL TIGHTNESS

BV1112

Rev. : 4

Date : 04/08

Page 1/2

armakom
Valves and fittings

SPECIFICATIONS :

- . Long neck for isolation
- . ISO mounting pad
- . Wafer type
- . Between flange GN10-GN16-ASA150 up to DN400 - Over on request
- . Crossing stem
- . Locking device , lever with 9 positions
- . No tightness - loose factor : 2% of Kvs



USE :

- . For common fluids
- . Max temperature Ts : see materials
- . Max pressure Ps : 16 bars
- . **Not for steam**

RANGE :

- . With lever DN40 to DN300
- . Naked stem or gear box DN350 to DN1500

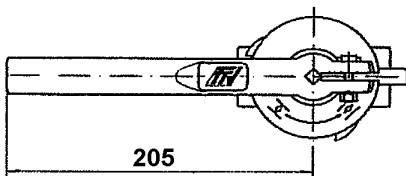
MATERIALS :

DESIGNATION	1111	1112
Body	GSC 25	SS 316
Stem	SS 420	SS 304
Butterfly	Cast iron GS*	SS 316
Temperature Ts	350°C	550°C

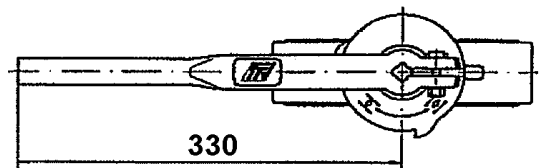
* Chromed

Other model on request

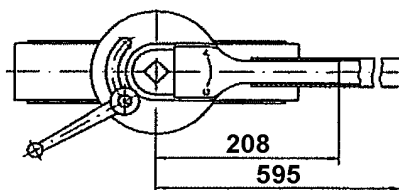
LEVERS :



DN 40 - 100



DN 125 - 200



DN 250 - 300

BUTTERFLY VALVE METAL/METAL TIGHTNESS

Ref. : DS 1111

Rev. : 4

Date : 04/08

Page 2/2



Valves and fittings

90 rue du ruisseau 38297 ST QUENTIN FALLAVIER

Tel : (33)04.74.94.15.90 Fax : (33)04.74.95.62.08

E.mail : sferaco@sferaco.fr

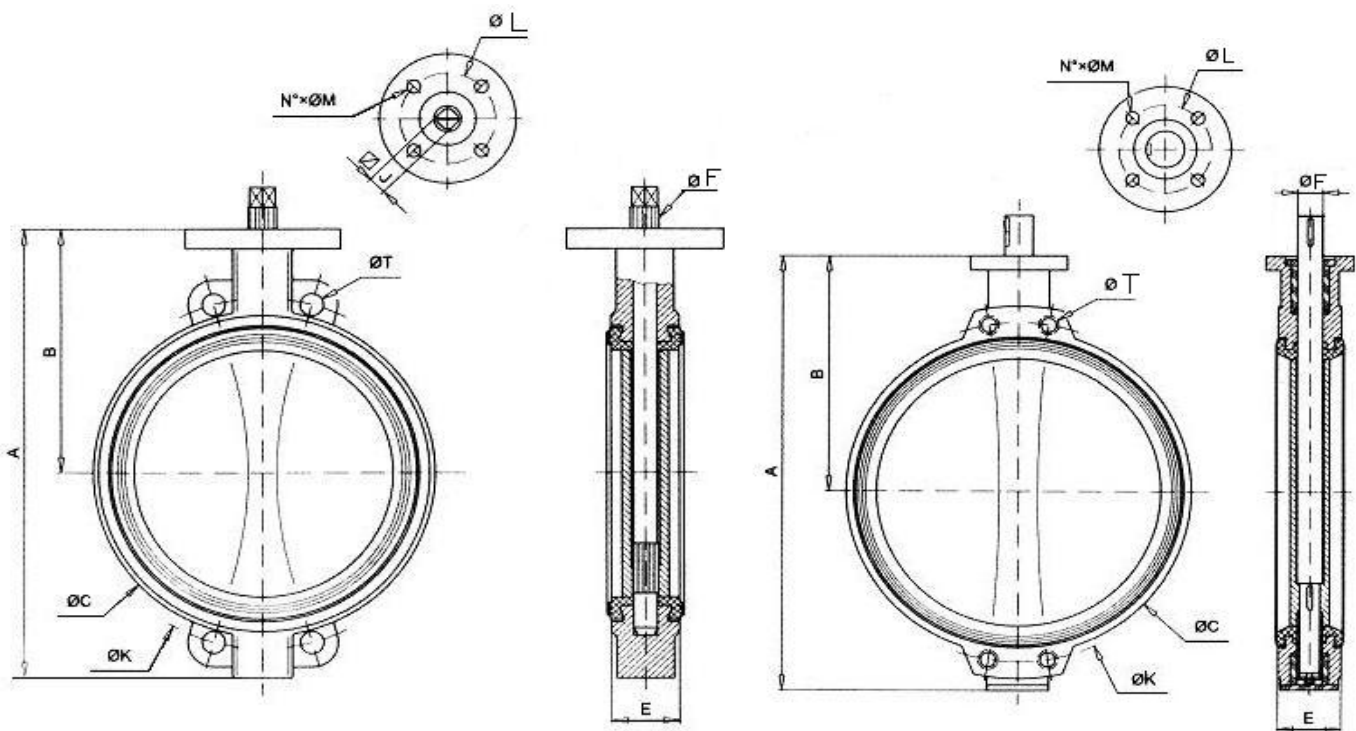
SIZE (GN10) :

VALVES :

DN	40	50	65	80	100	125	150	200	250	300	350	400	450	500	600	700	750	800	900	1000
A	206	228	243	266	294	324	349	438	461	523	582	645	738	822	965	1100	1150	1248	1325	1457
B	140	156	162	170	185	207	216	256	248	280	300	340	394	440	507	575	600	655	685	754
C	82	102	119	135	155	185	208	270	328	381	437	486	538	595	695	804	860	911	1010	1124
E	33	43	46	46	52	56	56	60	68	78	78	102	114	127	154	165	190	190	203	216
F	10,5	10,5	14,5	16,5	16,5	18,5	18,5	22,5	25,5	30,5	30,5	35,5	50	50	60	60	65	65	80	80
J	8	8	9	11	11	14	14	17	19	22	22	27								
K	110	125	145	160	180	210	240	295	350	400	460	515	565	620	725	840	900	950	1050	1160
L	70	70	70	70	70	70	70	70	102	102	140	140	140	140	165	254	254	254	254	254
N° x M	4 x 9	4 x 9	4 x 9	4 x 9	4 x 9	4 x 9	4 x 9	4 x 9	4x11	4x11	4x18	4x18	4x18	4x18	4x22	8x18	8x18	8x18	8x18	8x18
T	18	18	18	18	18	18	23	23	23	23	23	27	M24	M24	M27	M27	M30	M30	M30	M33
Weig.	2	3,5	4,5	5	6,5	8	9	15	21,5	30	39	52	87	117	177	258	296	330	505	661

DN 40 - 400

DN 450 - 1000



STANDARDS :

- . DIRECTIVE 97/23/CE : CE N° 0409
- Risk category III module B + C1
- . Length according to ISO 5752 NF 29305
- . ATEX Group II Category 2

ADVICE : Our opinion and our advice are not guaranteed and SFERACO shall not be liable for the consequences of damages. The customer must check the right choice of the products with the real service conditions.